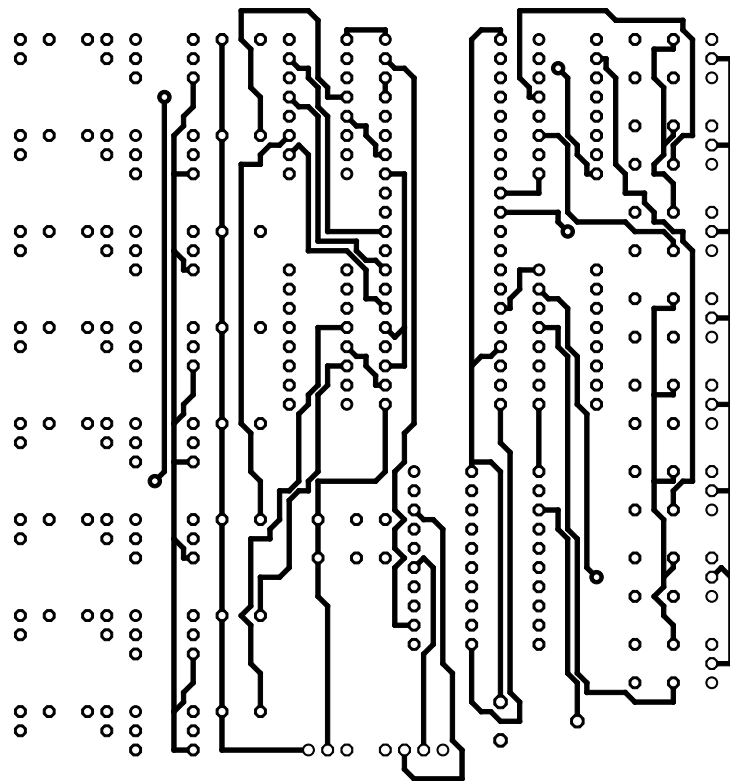
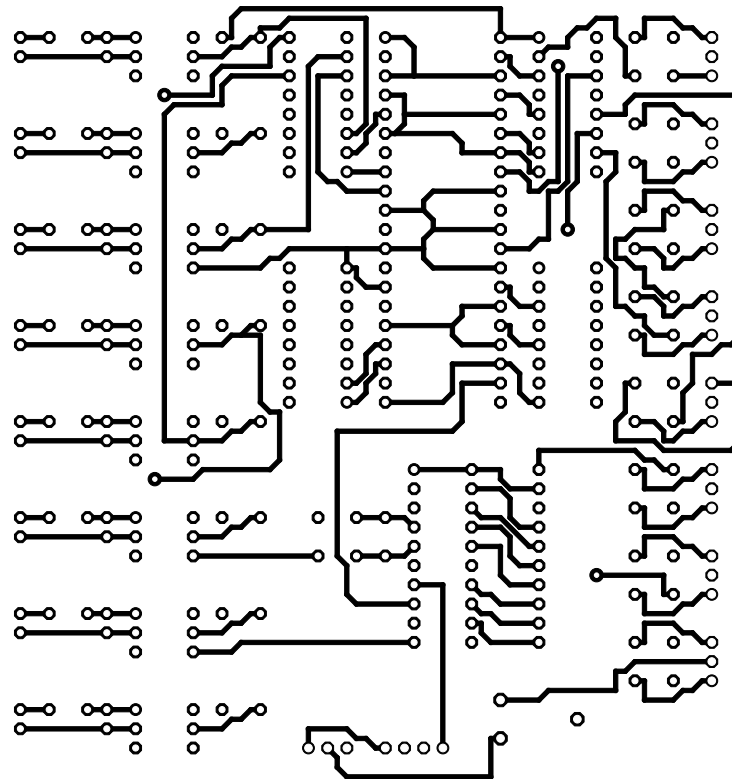


PG-8x8 component layout



PG-8x8 top layer



PG-8x8 PCB bottom layer.