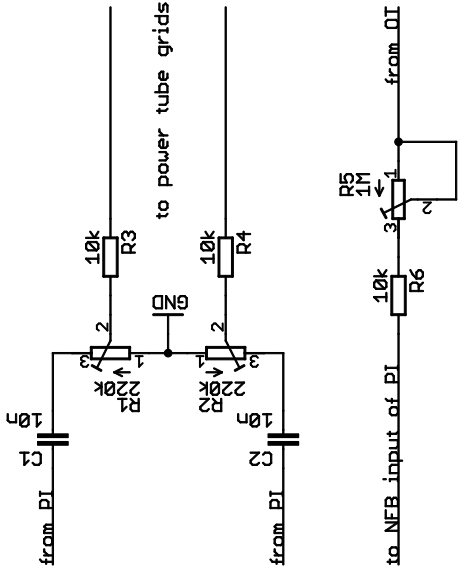


PREVENTING BLOCKING DISTORTION IN A PUSH PULL POWERAMP



Adjust R1 and R2 so that PI clips before poweramp goes in to grid conduction. Also adjust NFB accordingly.

Adjust so that the positive half cycle never goes "above" the bias voltage of the poweramp

For example:

If you have cathode bias voltage of 15V and your PI puts out max 50Vpp adjust R1 and R2 so that voltage at power tube grid is never more than 15Vpp

If you cut the signal to half with R1 and R2 then double the amount of NFB to get the same effect (halve the value of R5)

Pekka Lehtonen 2006

TITLE: blocking_prevention_in_poweramp

Document Number: REV: 0.1

Date: 3/01/2006 14:19:16

Sheet: 1/1