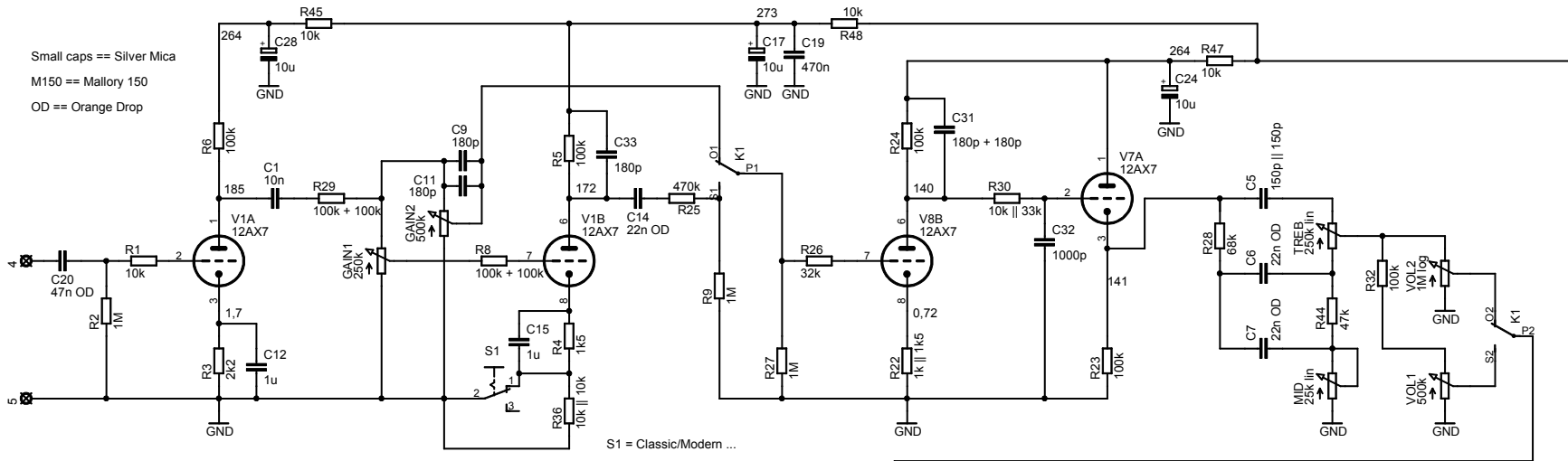
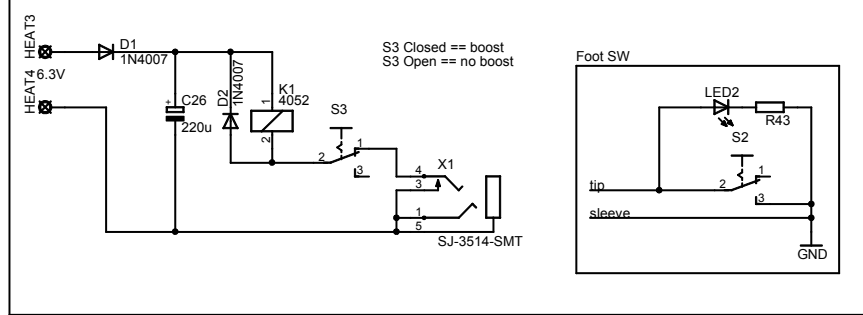


Small caps == Silver Mica
M150 == Mallory 150
OD == Orange Drop

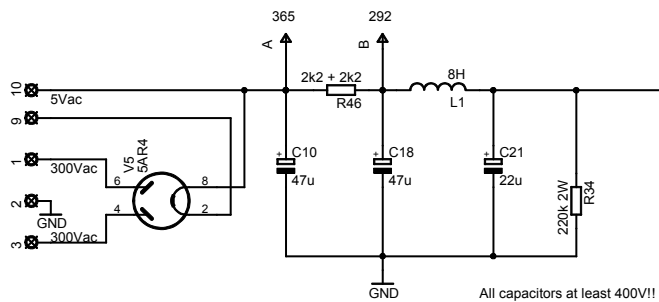


S1 = Classic/Modern ...

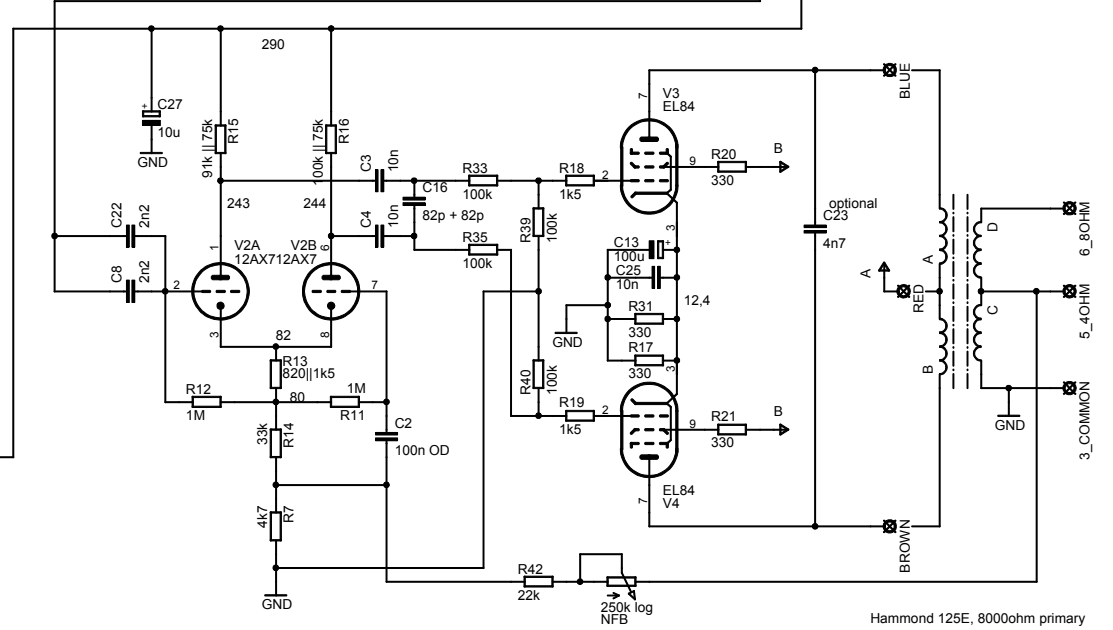
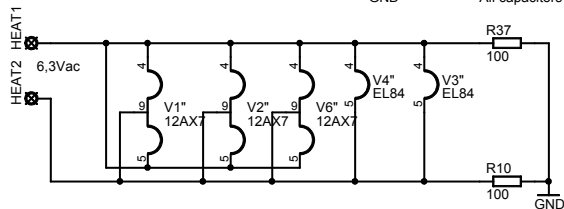
"Channel" switching



S3 Closed == boost
S3 Open == no boost



All capacitors at least 400V!!



Hammond 125E, 8000ohm primary

DD-15 Tube Amp		Copyright: Pekka Lehtonen 2005	
TITLE: dd15_current			
Document Number:			REV: 1.15c
Date: 17.04.2006 21:30:08			Sheet: 1/1