

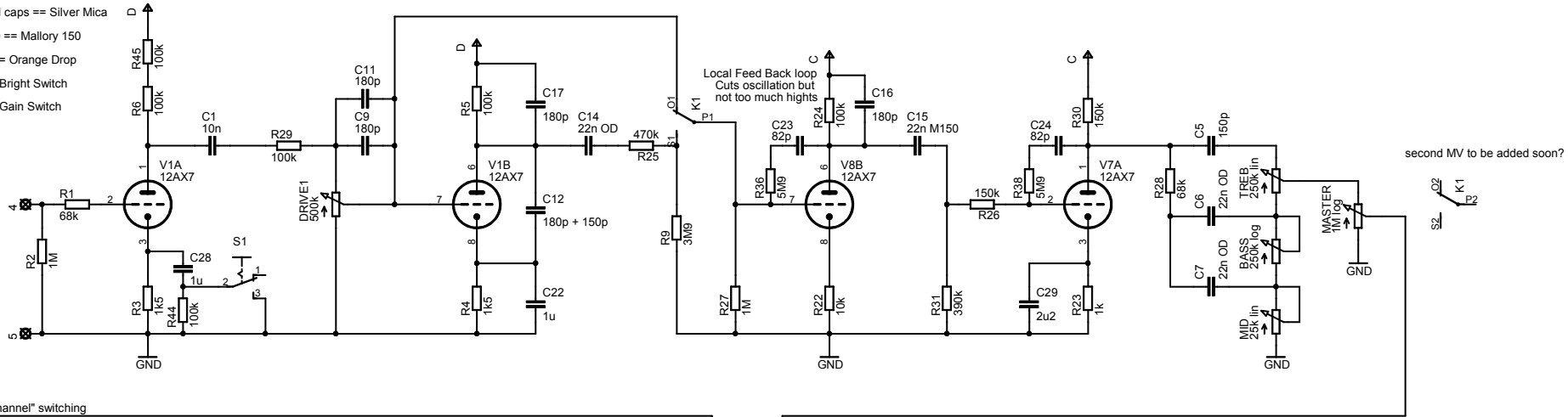
Small caps == Silver Mica

M150 == Mallory 150

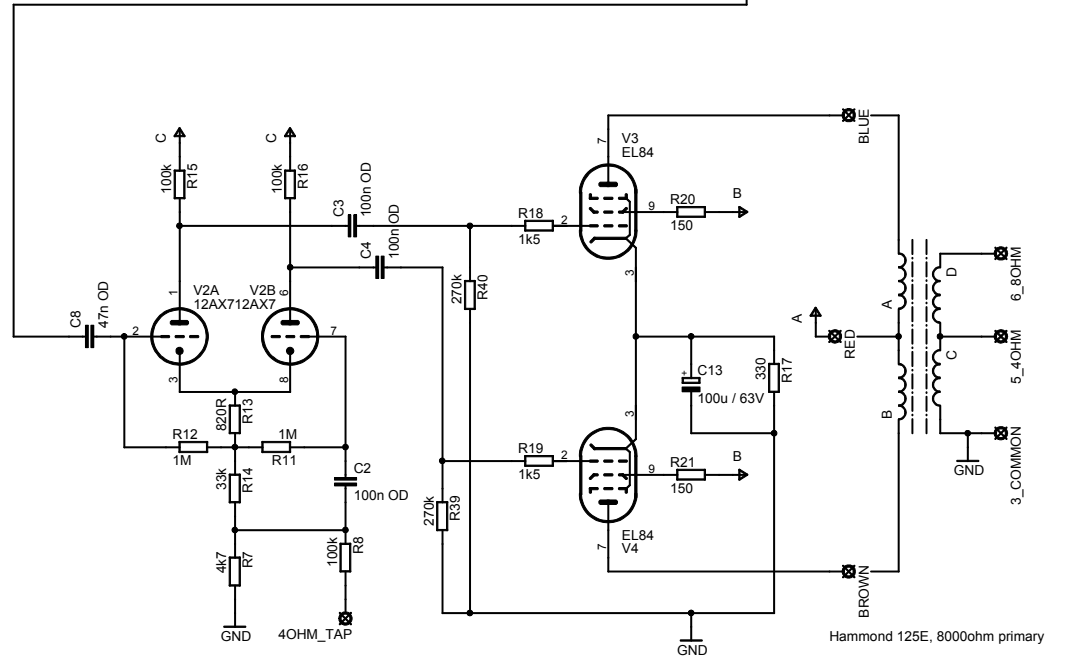
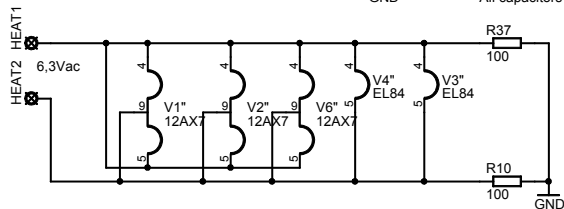
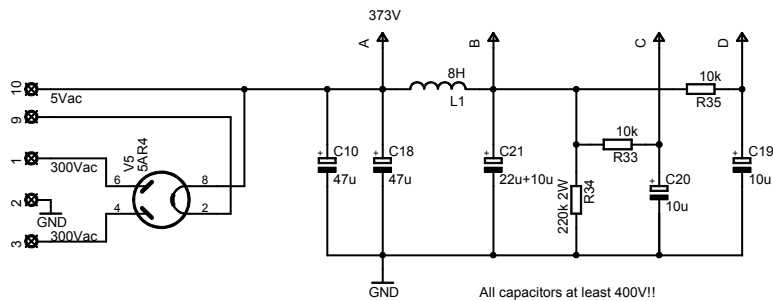
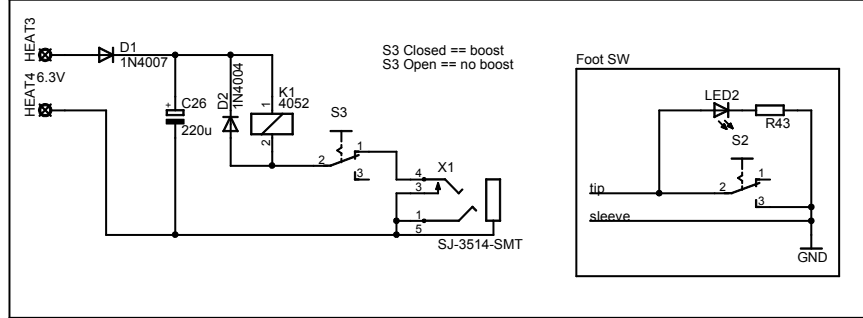
OD == Orange Drop

S1 = Bright Switch

S4 = Gain Switch



"Channel" switching



DD-15 Tube Amp - Pekka Lehtonen 2005 Copyright: Pekka Lehtonen 2005

TITLE: dd15_current

Document Number:

REV:

Date: 13.01.2006 21:11:16

Sheet: 1/1