

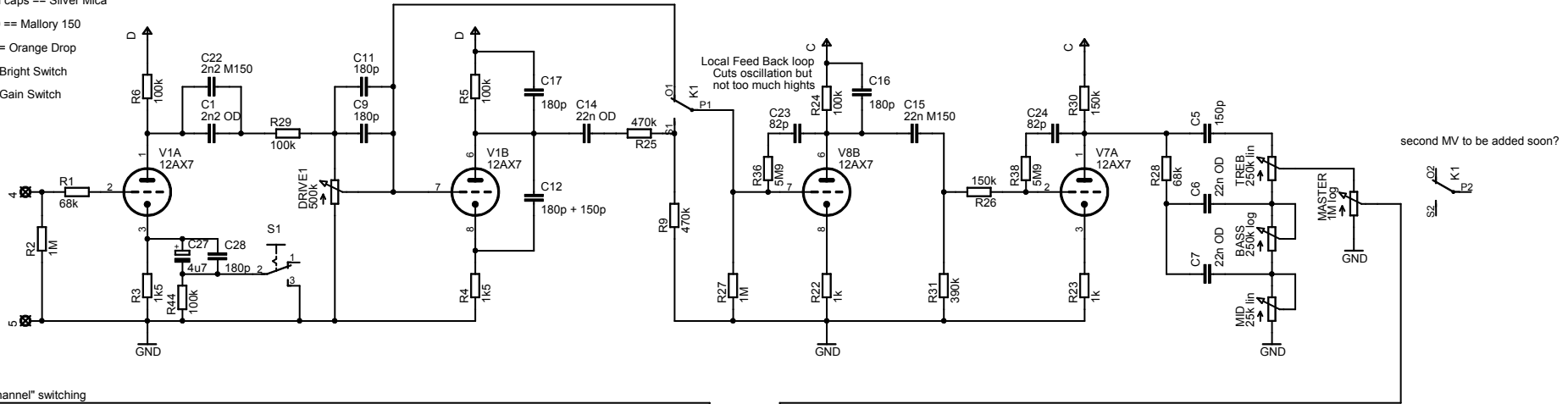
Small caps == Silver Mica

M150 == Mallory 150

OD == Orange Drop

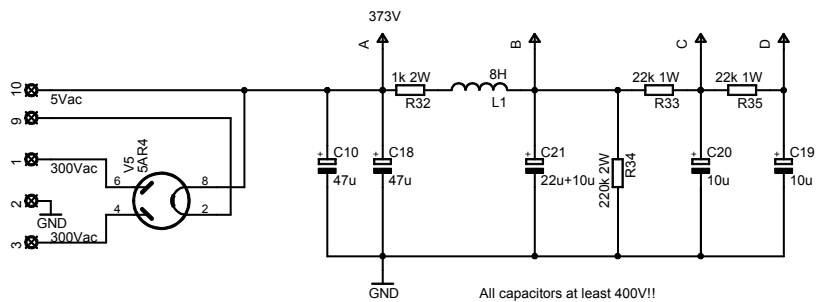
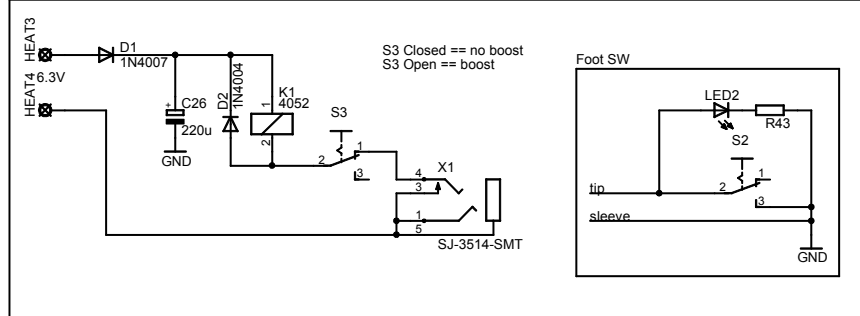
S1 = Bright Switch

S4 = Gain Switch



second MV to be added soon?

"Channel" switching



All capacitors at least 400V!!

